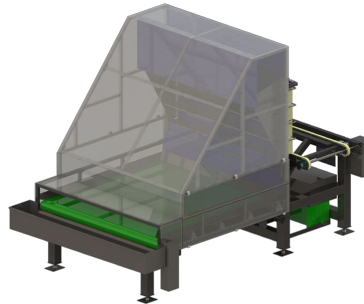


LIVE BIRDS HANDLING

DUMPING



DESCRIPTION

The " MINI DUMPING " is use to automatically unload at the processing plant the birds from container, the "double action" tilting ensures that all drawers are completely emptied during unloading. The system include: tilting device with hydraulic power pack; slides from the tilt container to the receiving belt conveyor; the canopy, the variable speed belt control, and the electric control panel with safety devices.

TECHNICAL DATA

Lenght	4.500 mm
Width	2.450 mm
Height	3.45 mm
Power installed	6,6 kw
Total weight	4.000 kg
Shipping volume	42 M ³