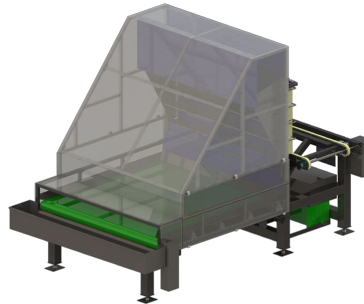


## LIVE BIRDS HANDLING

# DUMPING



## DESCRIPTION

The " MINI DUMPING " is use to automatically unload at the processing plant the birds from container, the "double action" tilting ensures that all drawers are completely emptied during unloading. The system include: tilting device with hydraulic power pack; slides from the tilt container to the receiving belt conveyor; the canopy, the variable speed belt control, and the electric control panel with safety devices.

## TECHNICAL DATA

|                 |                   |
|-----------------|-------------------|
| <b>Lenght</b>   | <b>4.500 mm</b>   |
| Width           | 2.450 mm          |
| Height          | 3.45 mm           |
| Power installed | 6,6 kw            |
| Total weight    | 4.000 kg          |
| Shipping volume | 42 M <sup>3</sup> |